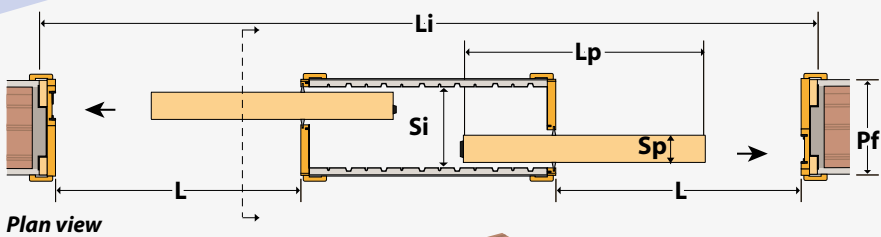
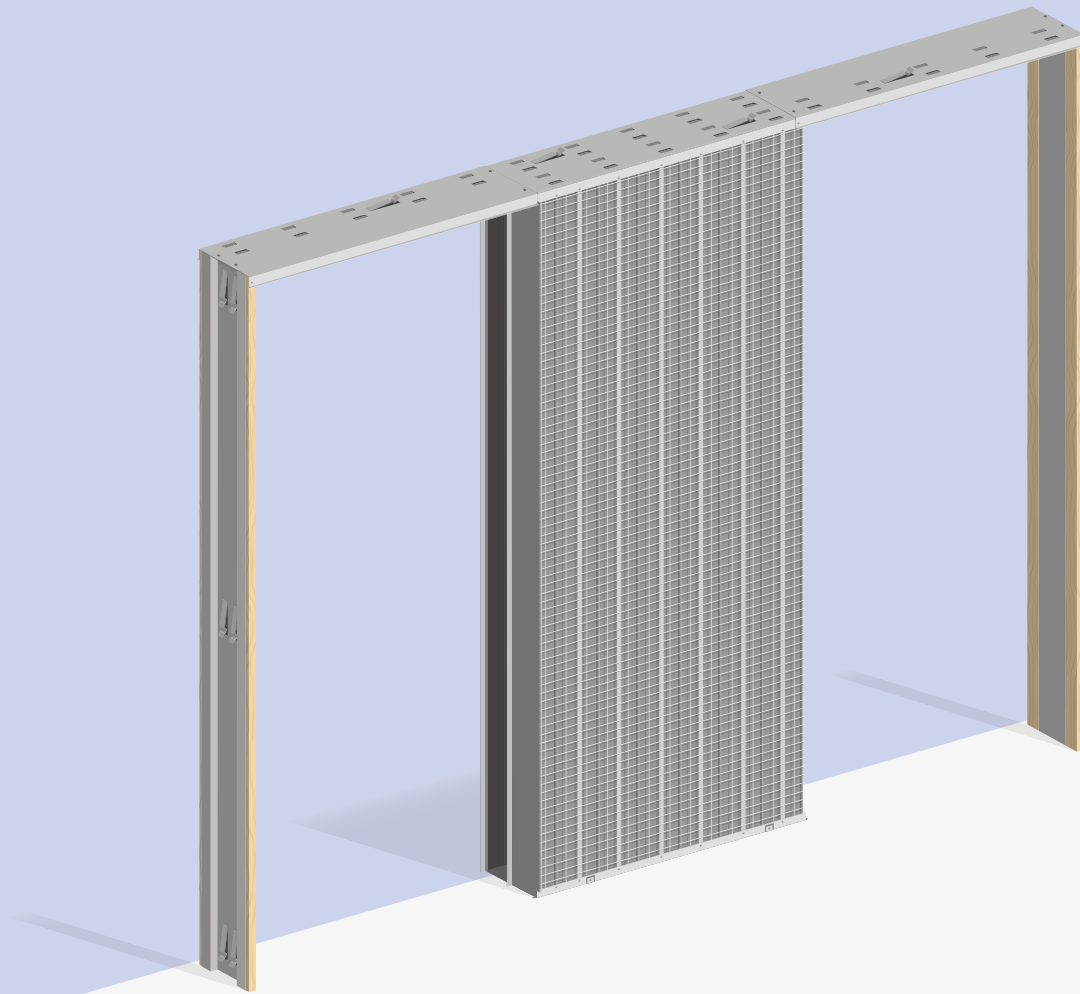
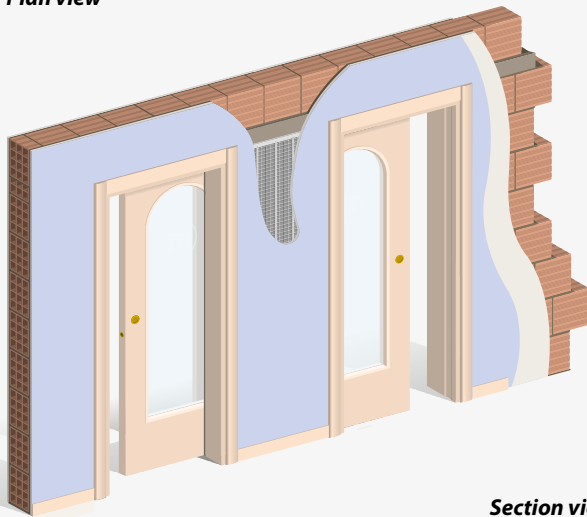


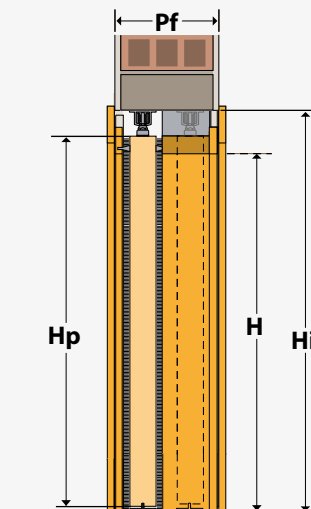
Counter-frame for interior plaster walls



Plan view



Section view



COPPIA by SIPARIO for plaster walls features a single central pocket that hosts two overlapping and opposite sliding doors; one door slides to the right, the other one to the left of the pocket.

The final result will optimize space with two sliding doors for two different adjacent areas and contain dimensions.

TECHNICAL DATA

Passage Width L	Passage Height H	Total Width Li	Total Height Hi	Finished Wall / Internal Pocket Thickness / Max Door Thickness incl trim Pf / Si / Sp	Door Width Lp min-max	Door Height Hp	Roller Load Bearing Capacity
600+600	2000	1969	2081	170•132•55	615÷630	2010	kg. 120
	2020		2101	170•132•55		2030	
	2030		2111	170•132•55		2040	
	2100		2181	170•132•55		2110	
	2200		2281	170•132•55		2210	
	2300		2381	170•132•55		2310	
	2400		2481	170•132•55		2410	
	2500		2581	170•132•55		2510	
	2600		2681	170•132•55		2610	
	2700		2781	170•132•55		2710	
700+700	2000	2269	2081	170•132•55	715÷730	2010	kg. 120
	2020		2101	170•132•55		2030	
	2030		2111	170•132•55		2040	
	2100		2181	170•132•55		2110	
	2200		2281	170•132•55		2210	
	2300		2381	170•132•55		2310	
	2400		2481	170•132•55		2410	
	2500		2581	170•132•55		2510	
	2600		2681	170•132•55		2610	
	2700		2781	170•132•55		2710	
800+800	2000	2569	2081	170•132•55	815÷830	2010	kg. 120
	2020		2101	170•132•55		2030	
	2030		2111	170•132•55		2040	
	2100		2181	170•132•55		2110	
	2200		2281	170•132•55		2210	
	2300		2381	170•132•55		2310	
	2400		2481	170•132•55		2410	
	2500		2581	170•132•55		2510	
	2600		2681	170•132•55		2610	
	2700		2781	170•132•55		2710	
900+900	2000	2869	2081	170•132•55	915÷930	2010	kg. 120
	2020		2101	170•132•55		2030	
	2030		2111	170•132•55		2040	
	2100		2181	170•132•55		2110	
	2200		2281	170•132•55		2210	
	2300		2381	170•132•55		2310	
	2400		2481	170•132•55		2410	
	2500		2581	170•132•55		2510	
	2600		2681	170•132•55		2610	
	2700		2781	170•132•55		2710	
1000+1000	2000	3169	2081	170•132•55	1015÷1030	2010	kg. 120
	2020		2101	170•132•55		2030	
	2030		2111	170•132•55		2040	
	2100		2181	170•132•55		2110	
	2200		2281	170•132•55		2210	
	2300		2381	170•132•55		2310	
	2400		2481	170•132•55		2410	
	2500		2581	170•132•55		2510	
	2600		2681	170•132•55		2610	
	2700		2781	170•132•55		2710	
1100+1100	2000	3469	2081	170•132•55	1115÷1130	2010	kg. 120
	2020		2101	170•132•55		2030	
	2030		2111	170•132•55		2040	
	2100		2181	170•132•55		2110	
	2200		2281	170•132•55		2210	
	2300		2381	170•132•55		2310	
	2400		2481	170•132•55		2410	
	2500		2581	170•132•55		2510	
	2600		2681	170•132•55		2610	
	2700		2781	170•132•55		2710	
1200+1200	2000	3769	2081	170•132•55	1215÷1230	2010	kg. 120
	2020		2101	170•132•55		2030	
	2030		2111	170•132•55		2040	
	2100		2181	170•132•55		2110	
	2200		2281	170•132•55		2210	
	2300		2381	170•132•55		2310	
	2400		2481	170•132•55		2410	
	2500		2581	170•132•55		2510	
	2600		2681	170•132•55		2610	
	2700		2781	170•132•55		2710	

Available upon request:

- Customised measure counter-frame in height and width
- Drywall version counter-frames