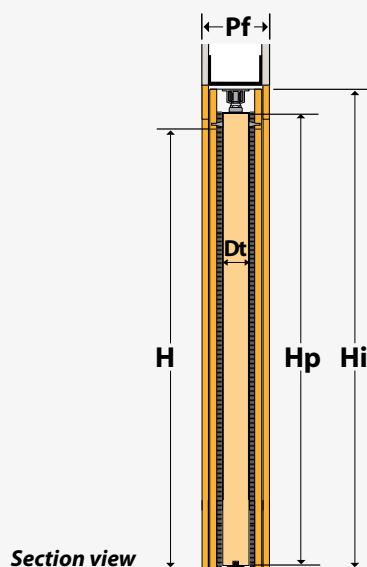
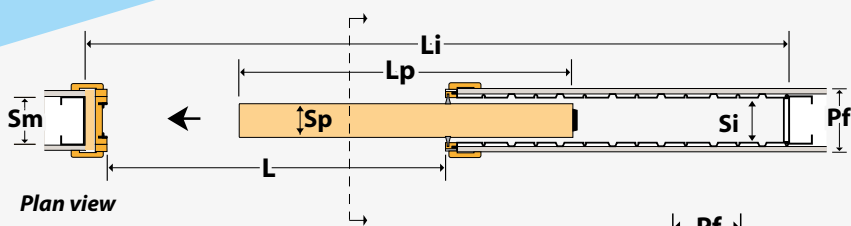
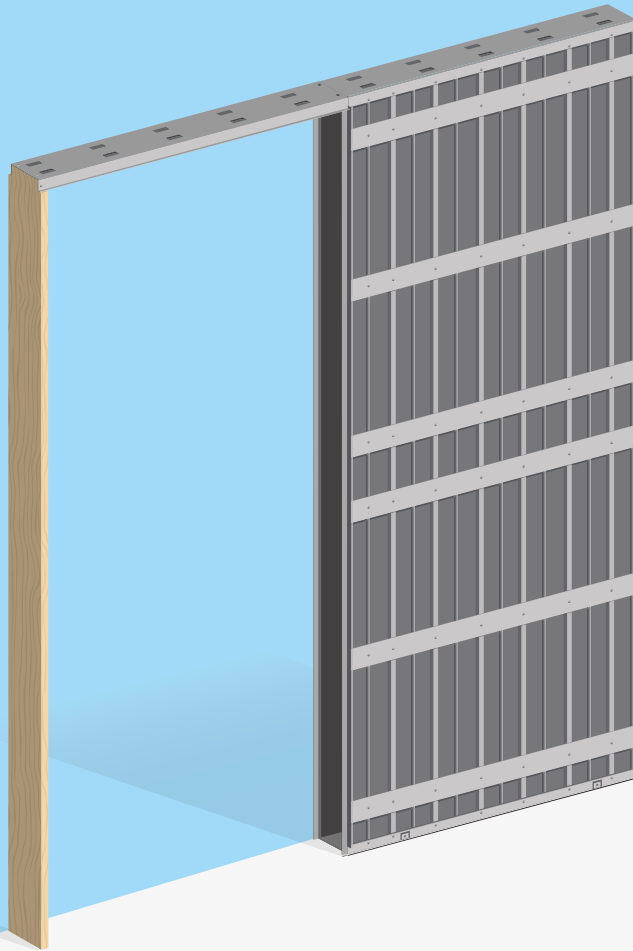


Counter-frame for interior drywall.



SIPARIO Unico Drywall is a counter-frame for interior drywall that can host a single leaf sliding door. It is ideal for small spaces such as kitchens, bathrooms, closets and other areas that require space saving and easy access. Ideal also for offices and hotels.

TECHNICAL DATA **Unico** DRYWALL **02**

Passage Width L	Passage Height H	Total Width Li	Total Height Hi	Finished Wall / Metal Structure / Internal Pocket Thickness / Max Door Thickness incl trim Pf / Sm / Si / Sp		Door Width Lp min-max	Door Height Hp	Roller Load Bearing Capacity
600	2000	1316	2081	100-75-52-40	125-100-67-55	615÷630	2010	kg. 120 kg. 80 available on request
	2020		2101	100-75-52-40	125-100-67-55		2030	
	2030		2111	100-75-52-40	125-100-67-55		2040	
	2100		2181	100-75-52-40	125-100-67-55		2110	
	2200		2281	125-100-67-55	125-100-67-55		2210	
	2300		2381	125-100-67-55	125-100-67-55		2310	
	2400		2481	125-100-67-55	125-100-67-55		2410	
	2500		2581	125-100-67-55	125-100-67-55		2510	
	2600		2681	125-100-67-55	125-100-67-55		2610	
	2700		2781	125-100-67-55	125-100-67-55		2710	
700	2000	1503	2081	100-75-52-40	125-100-67-55	715÷730	2010	kg. 120 kg. 80 available on request
	2020		2101	100-75-52-40	125-100-67-55		2030	
	2030		2111	100-75-52-40	125-100-67-55		2040	
	2100		2181	100-75-52-40	125-100-67-55		2110	
	2200		2281	125-100-67-55	125-100-67-55		2210	
	2300		2381	125-100-67-55	125-100-67-55		2310	
	2400		2481	125-100-67-55	125-100-67-55		2410	
	2500		2581	125-100-67-55	125-100-67-55		2510	
	2600		2681	125-100-67-55	125-100-67-55		2610	
	2700		2781	125-100-67-55	125-100-67-55		2710	
750	2000	1605	2081	100-75-52-40	125-100-67-55	765÷780	2010	kg. 120 kg. 80 available on request
	2020		2101	100-75-52-40	125-100-67-55		2030	
	2030		2111	100-75-52-40	125-100-67-55		2040	
	2100		2181	100-75-52-40	125-100-67-55		2110	
	2200		2281	125-100-67-55	125-100-67-55		2210	
	2300		2381	125-100-67-55	125-100-67-55		2310	
	2400		2481	125-100-67-55	125-100-67-55		2410	
	2500		2581	125-100-67-55	125-100-67-55		2510	
	2600		2681	125-100-67-55	125-100-67-55		2610	
	2700		2781	125-100-67-55	125-100-67-55		2710	
800	2000	1714	2081	100-75-52-40	125-100-67-55	815÷830	2010	kg. 120 kg. 80 available on request
	2020		2101	100-75-52-40	125-100-67-55		2030	
	2030		2111	100-75-52-40	125-100-67-55		2040	
	2100		2181	100-75-52-40	125-100-67-55		2110	
	2200		2281	125-100-67-55	125-100-67-55		2210	
	2300		2381	125-100-67-55	125-100-67-55		2310	
	2400		2481	125-100-67-55	125-100-67-55		2410	
	2500		2581	125-100-67-55	125-100-67-55		2510	
	2600		2681	125-100-67-55	125-100-67-55		2610	
	2700		2781	125-100-67-55	125-100-67-55		2710	
900	2000	1907	2081	100-75-52-40	125-100-67-55	915÷930	2010	kg. 120 kg. 80 available on request
	2020		2101	100-75-52-40	125-100-67-55		2030	
	2030		2111	100-75-52-40	125-100-67-55		2040	
	2100		2181	100-75-52-40	125-100-67-55		2110	
	2200		2281	125-100-67-55	125-100-67-55		2210	
	2300		2381	125-100-67-55	125-100-67-55		2310	
	2400		2481	125-100-67-55	125-100-67-55		2410	
	2500		2581	125-100-67-55	125-100-67-55		2510	
	2600		2681	125-100-67-55	125-100-67-55		2610	
	2700		2781	125-100-67-55	125-100-67-55		2710	
1000	2000	2102	2081	100-75-52-40	125-100-67-55	1015÷1030	2010	kg. 120 kg. 80 available on request
	2020		2101	100-75-52-40	125-100-67-55		2030	
	2030		2111	100-75-52-40	125-100-67-55		2040	
	2100		2181	100-75-52-40	125-100-67-55		2110	
	2200		2281	125-100-67-55	125-100-67-55		2210	
	2300		2381	125-100-67-55	125-100-67-55		2310	
	2400		2481	125-100-67-55	125-100-67-55		2410	
	2500		2581	125-100-67-55	125-100-67-55		2510	
	2600		2681	125-100-67-55	125-100-67-55		2610	
	2700		2781	125-100-67-55	125-100-67-55		2710	
1100	2000	2316	2081	100-75-52-40	125-100-67-55	1115÷1130	2010	kg. 120 kg. 80 available on request
	2020		2101	100-75-52-40	125-100-67-55		2030	
	2030		2111	100-75-52-40	125-100-67-55		2040	
	2100		2181	100-75-52-40	125-100-67-55		2110	
	2200		2281	125-100-67-55	125-100-67-55		2210	
	2300		2381	125-100-67-55	125-100-67-55		2310	
	2400		2481	125-100-67-55	125-100-67-55		2410	
	2500		2581	125-100-67-55	125-100-67-55		2510	
	2600		2681	125-100-67-55	125-100-67-55		2610	
	2700		2781	125-100-67-55	125-100-67-55		2710	
1200	2000	2502	2081	100-75-52-40	125-100-67-55	1215÷1230	2010	kg. 120 kg. 80 available on request
	2020		2101	100-75-52-40	125-100-67-55		2030	
	2030		2111	100-75-52-40	125-100-67-55		2040	
	2100		2181	100-75-52-40	125-100-67-55		2110	
	2200		2281	125-100-67-55	125-100-67-55		2210	
	2300		2381	125-100-67-55	125-100-67-55		2310	
	2400		2481	125-100-67-55	125-100-67-55		2410	
	2500		2581	125-100-67-55	125-100-67-55		2510	
	2600		2681	125-100-67-55	125-100-67-55		2610	
	2700		2781	125-100-67-55	125-100-67-55		2710	
661	1971	1430	2052	100-75-52-40	125-100-67-55	686	1981	kg. 120 kg. 80 available on request
737	1971	1581	2052	100-75-52-40	125-100-67-55	762	1981	kg. 120 kg. 80 available on request
813	1971	1733	2052	100-75-52-40	125-100-67-55	838	1981	kg. 120 kg. 80 available on request
890	1971	1889	2052	100-75-52-40	125-100-67-55	915	1981	kg. 120 kg. 80 available on request

We manufacture customised height and width counter-frames on request.